



**High Performance Shrink Fit Holders Systems from Accutek and Diebold**

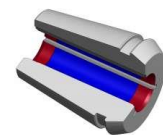
**Unique Temperature Controlled Shrink Fit Machine Technology**

**Easy-to-Use and Safe to Operate**

**Customer Need Focused**

**Industry Leading ROI**

**Industry Leading Technology**

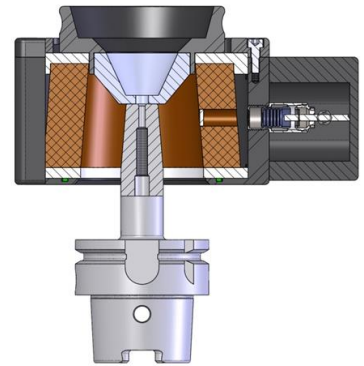


## Shrink Fit Machines

- Modular Pyrometer technology offers automatic temperature control.
- With Pyrometer technology, shrink fit holders **cannot be overheated.**
- Clamp all shanks with one universal adapter (horizontal units)
- “One Touch” Display and logic system makes **operation simple and user-friendly.**
- Unique temperature controlled advance coil technology system
- High performance TubeChiller design allows for complete safety.
- IoT 4.0 Ready Software



One Touch Logic



Pyrometer Technology



TubeChiller Technology



Liquid Cooling Unit

## Four North American Units



**MS 3.0 Micro Shrink Unit**

- 79.336.100 Micro Shrink Unit 230/60/3
- 79.500.900.UG Universal Clamping Adapter
- **List Price \$14,650.00 Special \$11,720**



**US1100HP Horizontal with OneTouch/Pyrometer**

- 79.500.101 US1100 Shrink Unit 480/60/3
- 79.500.800.150 One Touch with Temp Control
- 79.500.900.UG Universal Clamping Adapter
- **List Price \$27,560.00 Special \$22,048**



**US1100VP Vertical with One Touch/Pyrometer**

- 79.500.201 US1100 Shrink Unit 480/60/3
- 79.500.800.150 One Touch with Temp Control
- 79.500.800.300 Tabletop
- 79.360.363 HSK63 Tool Taper Adapter
- **List Price \$25,980.00 Special \$20,785**



**US1100VTP Horizontal with One Touch/Pyrometer**

- 79.500.201 US1100 Shrink Unit 480/60/3
- 79.500.800.150 One Touch with Temp Control
- 79.500.800.351 Tube Chiller with Integrated Cooling
- 79.360.363 HSK63 Tool Taper Adapter
- **List Price \$39,700.00 Special \$31,760**

**Promotional Prices Good on all orders entered through August 31, 2023**



- Establish 1966
- Global Support and Manufacturing
- Large Toolholder and Workholding Product Offering
- Focused on TIR and Centerline
- Customer Driven

- Established 1952
- Product Excellence
- Industry Leaders
- High Technology / High Performance Products



Accutek Inc.	Phone: 312-857-6577
15 W. Commercial Ave.	sales@accutekusa.com
Addison IL 60101-4501	ISO 90001-2015 Certified
<a href="http://www.accutekusa.com">www.accutekusa.com</a>	Twitter Follow @accutek_usa